

LED FLEX IN SMALL 927

300 91 51 92



LED STRIP 8,5W / m // CRI>90 // 2700K // 820lm/m

DIVIDABLE PER 29,4mm

MACADAM 3 STEP LED

EXCL.LED POWER SUPPLY 24V-DC

MAX.5m

MIN. BEND RADIUS 25mm

MIN. BEND DIAMETER 50mm

NON REPLACEABLE LEDS

Class:	III	
Weigth:	0.1 KG	
Protection level:	IP20	
Minimum Distance	29,4mm	
Options:	300 89 24 150	LED POWER SUPPLY 24V-DC / 150W
	300 89 24 20	LED POWER SUPPLY 24V-DC / 20W
	300 89 24 40	LED POWER SUPPLY 24V-DC / 40W
	300 89 24 60	LED POWER SUPPLY 24V-DC / 60W
	300 89 24 80	LED POWER SUPPLY 24V-DC / 80W DIM1
	300 90 003 ED1	24V-DC / 4A DIM1 UNIT
	300 90 003 ED5	24V-DC / 4A DIM5 UNIT
	300 90 010	24V-DC / 4A WIRELESS DIM UNIT
	300 90 24 ED2	LED DIMMODULE 24V / 3CH / 6A DIM2
	300 90 60	LED POWER SUPPLY MUTLI-POWER DIM7
	300 90 61	LED POWER SUPPLY MUTLI-POWER DIM6
	300 90 64	LED POWER SUPPLY MUTLI-POWER DIM7

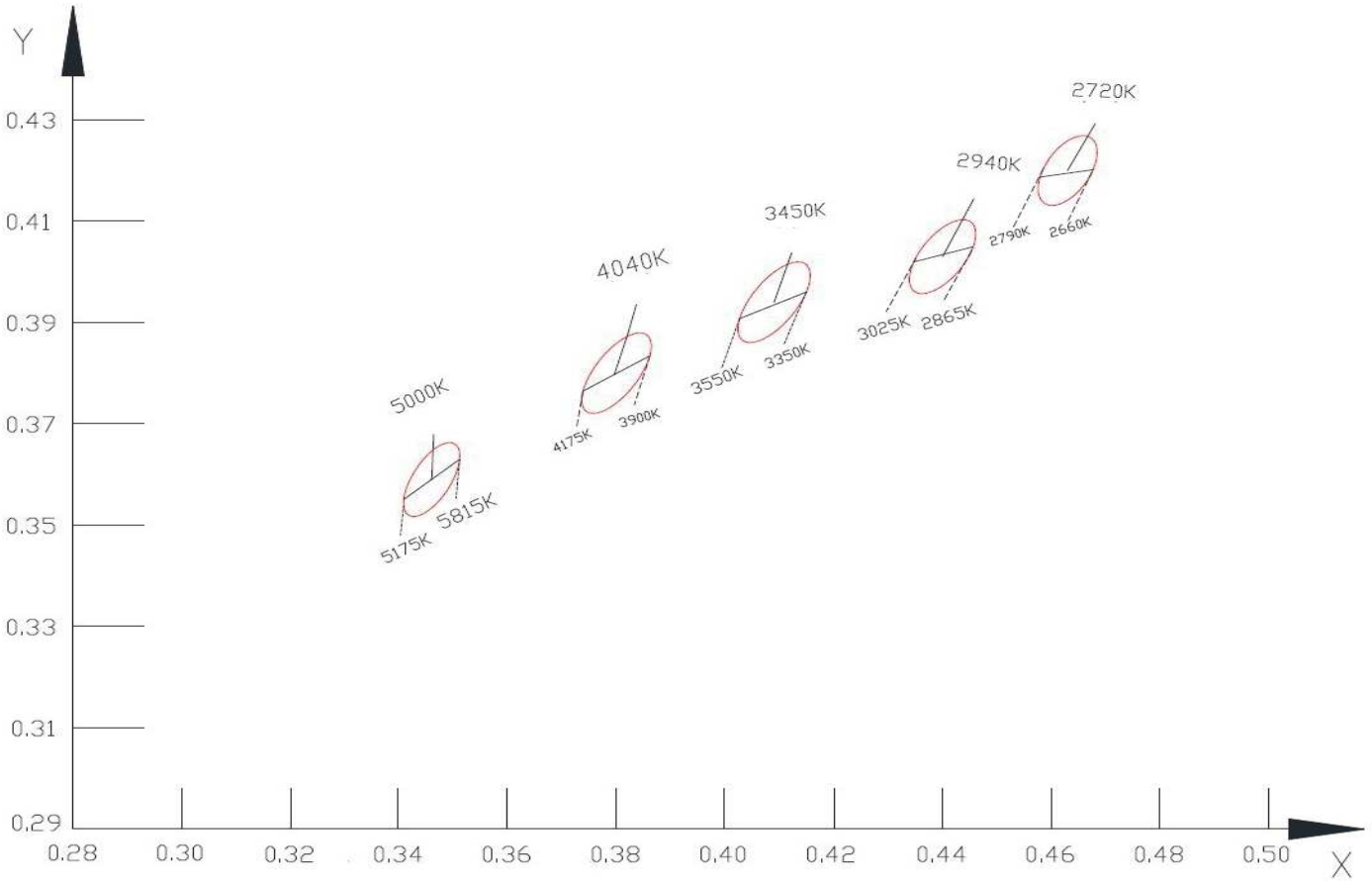
TECHNICAL DATA

ITEM	UNIT	DATA		ITEM	UNIT	DATA
LED Type	/	SMD 2016		LED quantity / m	PCS	238
LED Brand	/	Epistar or equivalent		LED power dissipation / m	W	8,57
Beam angle	201/2	120		STRIP power dissipation / m	W	9,8
PCB type	Type	1+2oz copper 4mm wide		Luminous flux (Typical)	lm/m	1100
Length	M	1		Efficacy (3000K)	lm/W	115
Protection degree	IP	IP20		Operating voltage	V-DC	24
Tape	/	3M 9495 200MP		Operating current / ù	A	0,408
Color	/	WW / NW / CW		Ta (Ambient temperature)	°C	-20°C~60°C
13-202750 23 00	2700K	27S (2660K-2790K) X=0.463 Y=0.42	115lm/w	Tc (Surface temperature)	°C	Max. 67
13-203050 23 00	3000K	29S (2865K-3025K) X=0.44 Y=0.403	115lm/w	Heatsing	cm ² /m	294
13-204050 23 00	4000K	40S (2900K-4175K) X=0.38 Y=0.38	120lm/w	Waranty period	Year	3
				Lifetime	Hr	30000
				CRI	Ra	≧ 90

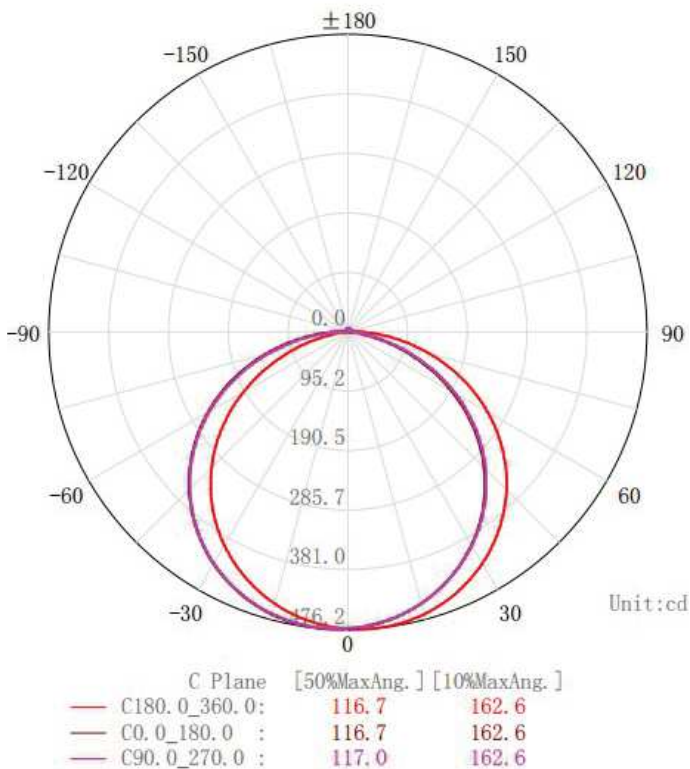
Color rendering index (CRI): (Sample test results)

R1	R2	R3	R4	R5	R6	R7	R8	R9	R10	R11	R12	R13	R14	R15	CCT
97	99	98	92	94	95	93	92	88	100	93	70	100	100	96	3000K

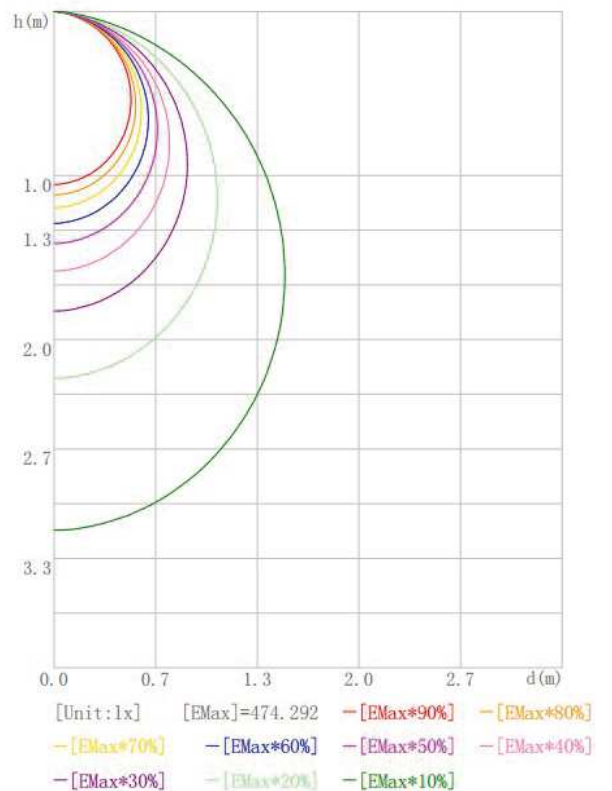
X,Y Chromacity co-ordinates



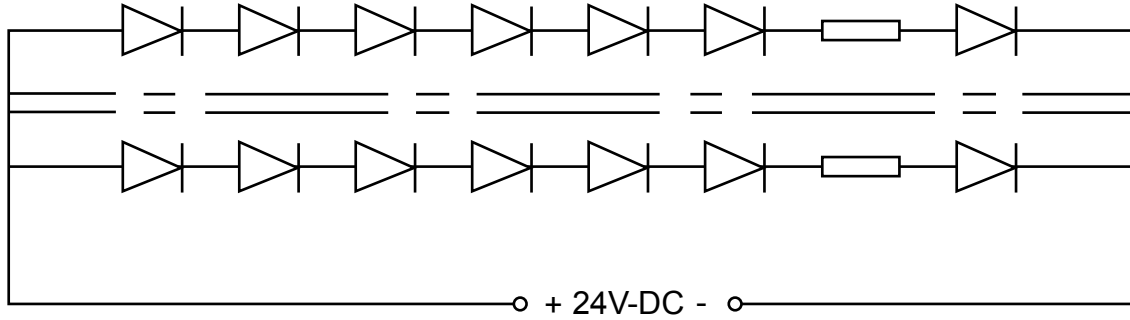
Photometric code (1m)



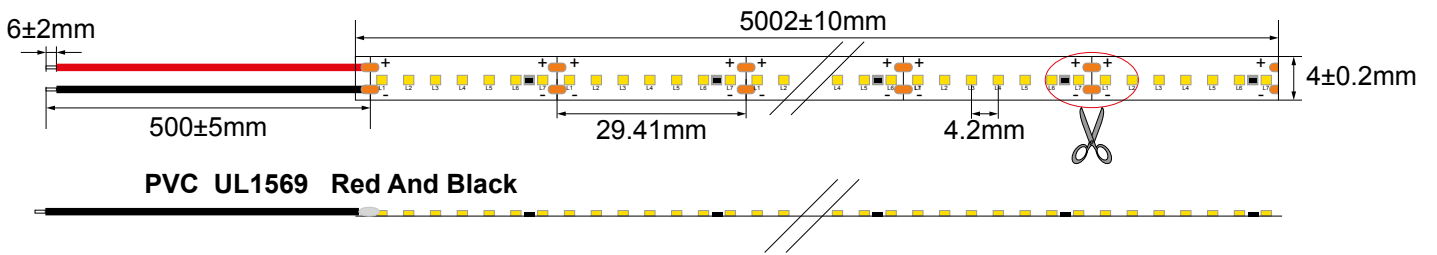
C0 Space ISO Illuminance Curve



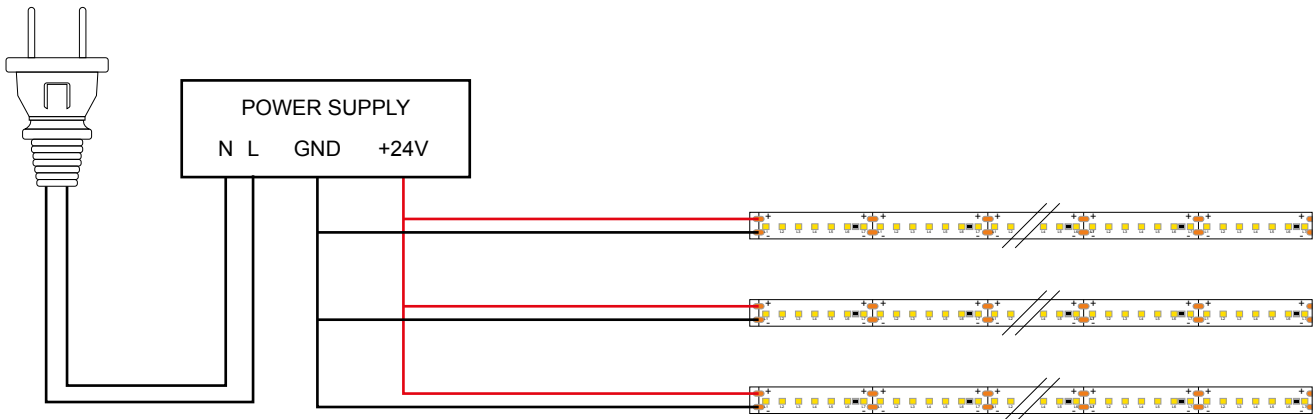
Layout



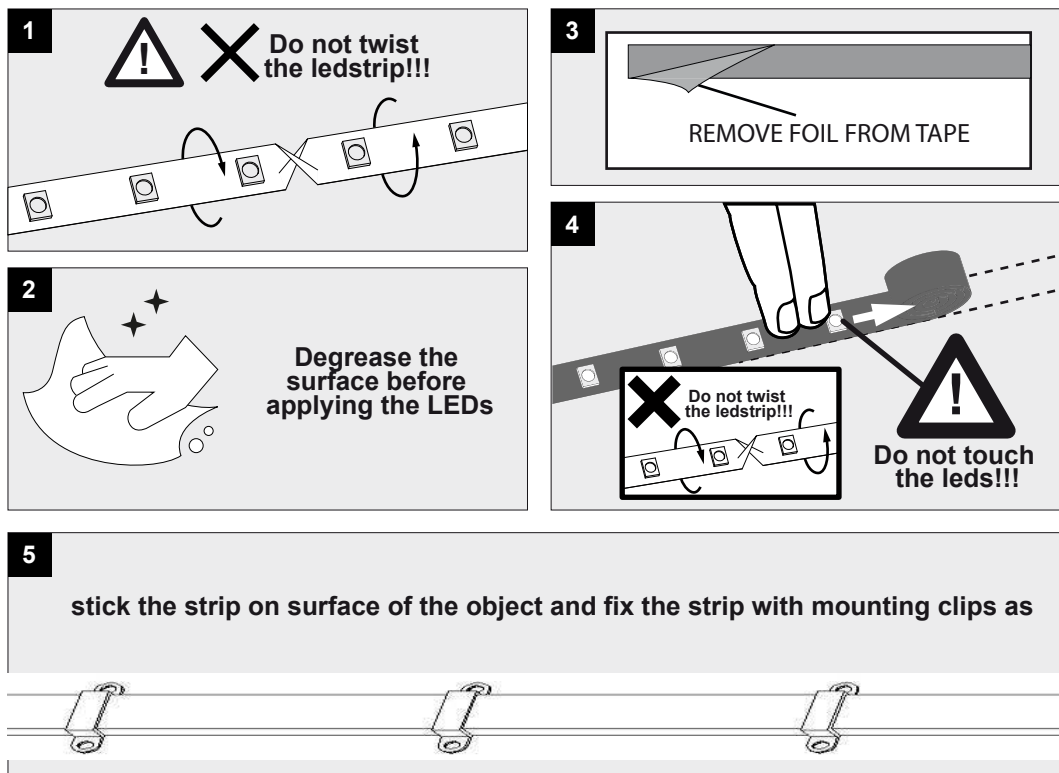
Outline Drawing



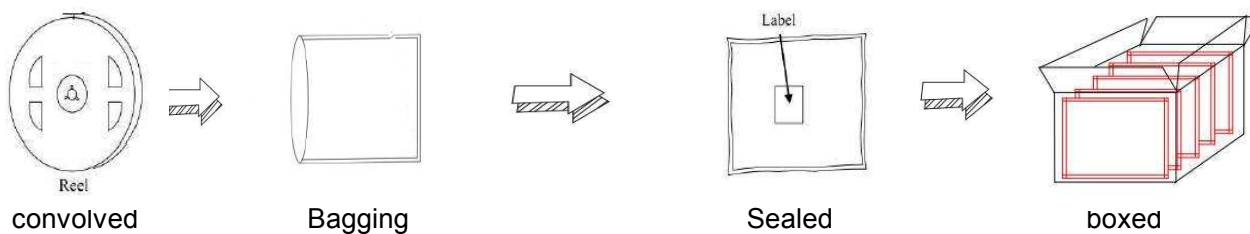
Connection Diagram



Mounting



Package 5m



Warning

- ★ Do not cut the strip while connecting to the power supply.
- ★ Do not connect to power higher than the rated voltage.
- ★ Do not twist the strip
- ★ Do not pull the strip
- ★ The LEDs are not replaceable
- ★ The minimal bending radius : 25 mm, diameter = 50 mm
- ★ Do not connect the LED strip with reversed voltage polarity

Notice

- ※ Power supply used has to be with suitable voltage and current.
- ※ On lighting up the strip, please use power supply with 20% more power rating than the strip's power consumption.